
Manual

LDM41-42E1

Firmware Version 7.04 and 8.04

Version 1.1



CE

Dear User,

You are advised to carefully read this User Manual before powering on the LDM41-42EI Laser distance measuring sensor for the first time.

This is necessary to ensure that you will be able to utilize all the capabilities and features which your new acquisition provides.

This technology is subject to continuously ongoing development.

Editorial Deadline: July 2018
Firmware Version: ≥ 7.04 and 8.04
Manual Version: V 1.1
File: Manual_LDM41-42EI_EN_V1.1.docx

Note:

Proper care has been used in compiling this document. No liability will be accepted in the event of damage resulting from failure to comply with the information contained herein.

Revisions history

Manual Version	Date	Changes
1.1	25.07.2018	Max. trigger voltage changed
1.0	19.10.2017	First release

ASTECH GmbH, Schonenfahrerstr. 5, D-18057 Rostock

Internet: www.astech.de E-Mail: info@astech.de

Phone: +49 (0)381 / 44073-0 Fax: +49 (0)381 / 44073-20

I. Content

1	General	6
2	Safety Instructions	8
2.1	General Safety Instructions	8
2.2	Intended & Conforming Use.....	8
2.3	Nonconforming use	8
2.4	Laser Classification	9
2.5	Electric Supply	10
2.6	Important Operating Advice.....	10
3	Technical Data	11
4	Mounting	13
5	Electrical Connection	15
5.1	LDM Rear-Side Cover Terminals	15
5.2	Assignment of Terminals	16
5.3	Ethernet/IP	16
5.4	RS-232 Serial Interface	16
5.5	Programming Cable	18
5.6	Shield and Grounding	18
6	Limiting Values for Voltages	19
7	Start up	20
8	Parameters and Control via RS-232	21
8.1	General	21
8.2	DT – distance tracking	24
8.3	DS – distance tracking (<7 m)	24
8.4	DW – distance tracking with target board (10 Hz)	24
8.5	DX – distance tracking with target board (50 Hz).....	25
8.6	DF – distance measurement with external trigger.....	25
8.7	DM – distance measurement	26
8.8	TP – internal temperature [°C]	26
8.9	SA – display/set average value [1..20].....	26

8.10	SD – display/set display format [d/h/s]].....	26
8.11	ST – display/set measure time [0..25]	28
8.12	SF – display/set scale factor	29
8.13	SE – display/set error mode [0/1/2]	29
8.14	AC – display set ALARM center	30
8.15	AH – display/set ALARM hysteresis.....	30
8.16	AW – display/set ALARM width	30
8.17	HO – display/set Temperature for heating on.....	31
8.18	HF – display/set Temperature for heating off ¹⁶	31
8.19	TDx y – display/set trigger delay trigger level	31
8.20	BR – display/set baud rate [2400..38400]	32
8.21	AS – display/set autostart command	32
8.22	OF – display/set distance offset	32
8.23	SO – set current distance to offset	32
8.24	LO – Laser on	32
8.25	LF – laser off.....	33
8.26	PA – display settings	33
8.27	PR – reset settings	33
9	Interface Connection	34
9.1	Ethernet/IP	34
9.2	Serial Interface RS-232.....	36
9.3	Output Format Ethernet and RS-232.....	37
9.4	Digital Switching Output (Alarm).....	38
9.5	Trigger Input	40
10	List of Commands	41
11	Error Codes RS-232 and Ethernet/IP	42
12	EDS Data	43
13	EG Declaration of Conformity	44
14	Part Numbers	45

II. List of Figures

Figure 1 : Measurement principle	6
Figure 2 : Warning Sign Laser Radiation Class 2	9
Figure 3 : Mounting drawing	13
Figure 4 : Offset against zero-edge.....	14
Figure 5 : LDM41-42EI terminals	15
Figure 6 : Termination RS-232	17
Figure 7 : LDMSTool	21
Figure 8 : Digital switching output behavior with positive and negative hysteresis.....	39
Figure 9 : ESD data and bitmap	43

III. List of Tables

Table 1 : Technical data	11
Table 2 : LDM41-42EI Terminals.....	15
Table 3 : Pin assignment power supply, alarm and trigger	16
Table 4 : Pin assignment Ethernet/IP	16
Table 5 : Pin assignment RS-232.....	17
Table 6 : Pin assignment programming cable	18
Table 7 : Input voltages	19
Table 8 : Output voltages	19
Table 9 : Command list LDM41-42EI	23
Table 10 : Output format.....	26
Table 11 : Examples of scale factor	29
Table 12 : Meaning of SE	29
Table 13 : Meaning of Ethernet/IP mode	35
Table 14 : Ethernet/IP error codes	35
Table 15 : LDM41-42EI command list.....	41
Table 16 : Error codes.....	42
Table 17 : Part numbers	45

1 General

The LDM41-42EI is a Laser sensor to measure distances from 0.1 m to more than 100 m with pinpoint accuracy.

A given target can be clearly identified with the help of a red Laser sighting point. In terms of operating reach, the LDM41-42EI performs depending on the reflectance, morphology and qualities of the target to be measured.

The sensor works based on comparative phase measurement. It emits modulated Laser light which is diffusely reflected back from the target with a certain shift in phase to be compared with a reference signal. From the amount of phase shift, a required distance can then be determined with millimeter accuracy.

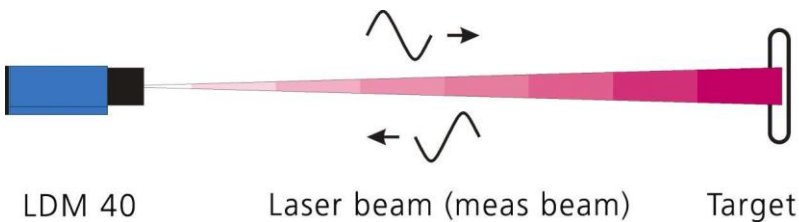


Figure 1 : Measurement principle

A distance measuring cycle can be triggered in three different ways:

- By sending a command from the PC or another equivalent control unit
- By making appropriate prior parameter settings for the auto start command and applying supply voltage
- By external triggering (in remote-trigger mode).

For a more detailed description of these three trigger options, you should consult chapter 8, Parameters and Control via RS-232 of this User Manual.

Special performance features are:

- Provides high accuracy and great reach under extreme outdoor temperatures.
- Works in a wide range of operating voltages from 10 V= to 30 V= from an on-board vehicle supply point, an industrial direct voltage supply net or a DC power pack.
- Features consistently low power consumption of $<3.5 \text{ W}^1$ (without I_{Alarm})
- Up to 30 m reach for distance measurement, with potential for more than 100 m reach if additional reflectors² are mounted onto the target (depending on reflectance and environmental conditions).
- Visible Laser beam for easier sighting.
- Output and control via Ethernet/IP
- Measured values can be displayed in meters, decimeters, centimeters, feet and inches due to.
- Option for remote triggering of a measurement from an external trigger device.
- Large range of accessories available

¹ inactive internal heating for devices with internal heating (LDM41-42EI/h)

² e.g. 3M, self adhesive foil white non glossy or foil 3290 for longer distances

2 Safety Instructions

2.1 General Safety Instructions

These safety and operating instructions should be carefully read and followed during practical work with the LDM41-42EI.



There is danger of Laser radiation or electrical shock. For necessary repair work, the LDM41-42EI may not be opened by anyone other than Manufacturer personnel. Unauthorized intervention into the inner product space will void any warranty claims.

Compliance with all specified operating conditions is necessary.

Failure to observe advisory notes or nonconforming product usage may cause physical injury to the user or material damage to the LDM41-42EI.

Cable connectors must not be plugged or unplugged under voltage. Remember to turn voltage supply off before you begin working on cable connections.

2.2 Intended & Conforming Use

- Measurement of distances
- Special measuring functions
- Compliance with prescribed temperatures for operation/storage
- Operation at correct voltage level
- Application of specified signal levels to the appropriate data lines

2.3 Nonconforming use

- Do not operate the LDM41-42EI in any other way than described under "Intended & Conforming Use" above and only in a proper working condition
- Safety devices must not be defeated or otherwise rendered ineffective
- Information and warning signs must not be removed
- Repair work on the LDM41-42EI must not be carried out by anyone other than authorized personnel.

- Refrain from using the LDM41-42EI without certified protection in an explosive environment
- Measurement with the LDM41-42EI pointed at the sun or other strong light sources may produce faulty results
- Measurement of targets with poor surface reflectance in a strongly reflecting environment may also result faulty measurements.
- Measurement of strongly reflecting surfaces may deliver faulty results.
- Measurement performed through transparent optical media, for example glass, optical filters, Plexiglas, etc. may equally produce incorrect results.
- Measurement on translucent objects (materials allow light to pass through, but are not transparency, e.g. polystyrene, wax, different plastics etc.) can give a too large measured value, since also light is reflected by deeper layers
- Rapidly changing measuring conditions are likely to falsify the result of measurement

2.4 Laser Classification

The LDM41-42EI is a Class 2 laser product, ≤ 1 mW as stipulated in EN60825-1:2007, Class 2.

Caution:

There is Class 2 Laser radiation. Do not stare into beam!



Figure 2 : Warning Sign Laser Radiation Class 2

The Laser power is limited to maximum 1 mW. The Laser radiation is visible. A short-term exposure (duration up to 0.25 s) is harmless to the eye.

Users are instructed by Laser warning sign (see Figure 2) to do not stare into the beam. They have to protect themselves by turn the head and/or closing the eyes and by avoid a long look into the beam.

Do not direct the Laser beam onto persons.

The sensor can use without any additional safety protection.

2.5 Electric Supply

Use only 10 V to 30 V DC (direct voltage) for LDM41-42EI operation. Use only the specially designated connector terminal for voltage supply.

Specified signal levels must not be exceeded, in order to guarantee correct data communication.

2.6 Important Operating Advice

To make full use of the system's inherent performance capabilities and achieve a long service life, you should always follow these operating rules:

- Do not turn the module on if there is fogging or soiling on its optical parts
- Do not touch any of the module's parts with bare hands.
- Proceed with care when removing dust or contamination from optical surfaces!
- Prevent shock impacts during transport and use of the LDM41-42EI
- Prevent overheating of the LDM41-42EI.
- Prevent major temperature variances during LDM41-42EI operation
- In accordance with IP65 internal protection standards, the LDM41-42EI is designed to be splash proof and dustproof.
- Read these safety and operating instructions with due care and follow them in practical use.

3 Technical Data

Table 1 : Technical data

Measurement range ³	0.1 m up to 30 m with natural surfaces, depending on target reflectance or reflectors more than 100 m achievable ⁴
Measuring accuracy ⁵	±2 mm under defined measuring conditions ⁶ ±3 mm (+15 °C up to +30 °C) ±4 mm in DS mode <0.5 m (+15 °C ... 30 °C) ±5 mm (-10 °C up to +50 °C)
Resolution ⁷	0.1 mm, user scalable, standard 1 mm
Reproducibility	±0.5 mm
Measuring time	0.24 to 6 s setup or auto Mode DT 0.1 s (10 Hz) mode DW at white surface 20 ms (50 Hz) mode DX at white surface (only LDM42EI)
Target motion speed	≤4 m/s in DX-Mode (LDM42EI only)
Acceleration	≤2.5 m/s ² in DX-Mode (LDM42EI only)
Operating temperature	-10 °C up to +50 °C -40 °C up to +50 °C (LDM41-42EI /h only)
Storage temperature	-40 °C up to +70 °C
Supply voltage	10 V ... 30 V DC (protected against polarity reversal) ⁸
Power consumption	Depending on operation mode < 2.5 W in Standby < 4.0 W for distance tracking < 24 W with heating active (LDM4x A /h only)
Data interface	RS-232, baud rate 9600 (2400...38400), ASCII,

³ dependent on target reflectance, stray light influences and atmospheric conditions

⁴ e.g. 3M, self adhesive foil white non glossy

⁵ statistic spread 95 %

⁶ for measurement at a planar white target surface in continues movement or still standing, +15 up to +30 °C

⁷ dependent on target reflectance, stray light influences and atmospheric conditions

⁸ Please use only 24 V DC For devices with heating (LDM41-42EI / h) The heater is connected directly to the power supply.

	Format 8N1 (fix), receive path is deactivated after connecting to the Ethernet/IP Scanner!
Digital switching output	„high-side-switch“, programmable switching threshold and hysteresis, rated for max. load of 0.5 A, HIGH = UB - 2 V, LOW < 2 V
Trigger input ⁹	External trigger, trigger pulse 3 up to 20 V, pulse length ≥ 1 ms, start of measurement 5 ms + trigger delay, trigger slope and delay can be set (0 ms ... 9999 ms),
EMC	EN 61326-1
Shock resistance	10 g / 6 ms Persistence shock DIN ISO 9022-3-31-01-1
Laser Class	Laser class 2, under EN60825-1:2007, Class 2
Wave length	650 nm (red visible)
Laser divergence ¹⁰	0.6 mrad
Laser angle tolerance	Better than ± 1° to the ground plane
MTBF	30,000 h, 24/7, Operating temp. +25 °C
Connector	Standard M12, 5-pol., male, A-cod.
Dimensions (LxWxH)	212 mm x 96 mm x 50 mm
Mounting	100 mm x 85 mm, 4 x M6 holes
Weight	approx. 850 g
Protection class	IP 65 (spatter water and dust protection)

⁹ trigger function is not available for devices with internal heating (LDM41-42EI /h)

¹⁰ at 10 m distance the beam diameter is 6 mm, at a distance of 50 m it is 3 cm and at a distance of 100 m it is 6 cm

4 Mounting

The casing consists of a rugged, corrosion-resistant extruded aluminum profile with front-side and rear-side covers also of corrosion-resistant design. Four mounting holes are provided in the base plate for mounting the LDM41-42EI.

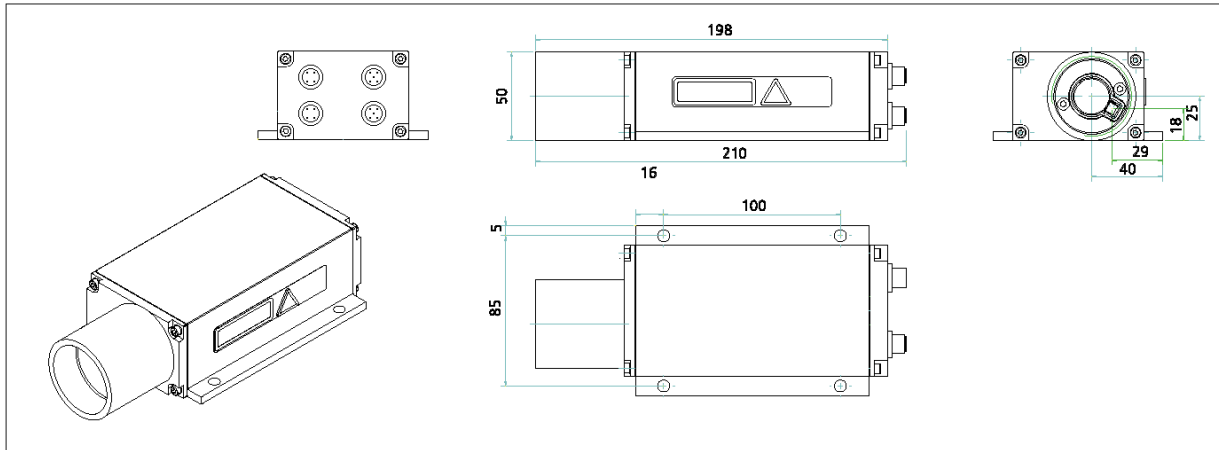


Figure 3 : Mounting drawing

To protect the range finder's optical surfaces from dust, physical contact and impacts, etc., a protection tube has been attached to the casing. Please note that measurement cannot be guaranteed to function correctly if the protection tube is removed incorrectly or by unqualified personnel!

The interface connector is located on the back cover. Interface cables with different length are available (standard 2 m, optionally 5 or 10 m).

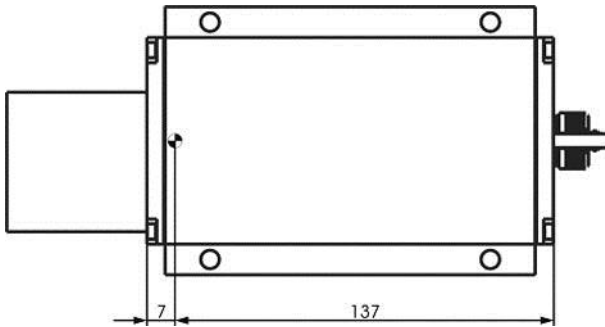


Figure 4 : Offset against zero-edge

The LDM41-42EI's zero-point is located 7 mm behind the outer surface of the front cover or 137 mm before the back cover outside face respectively. This zero-point has been introduced for constructional design reasons. It can be compensated with the help of parameter "OF"(see section 8.22 OF – display/set distance offset).

5 Electrical Connection

5.1 LDM Rear-Side Cover Terminals

Connector terminals are located on the rear-side cover of the device. The terminals consist of 4 buses for metal circular plug-in connectors (from Binder), or compatible connectors, sealed against the casing in compliance with IP 65 requirements. This connector type guarantees optimized screening and a high IP level.

The following connection plugs should be used:

Table 2 : LDM41-42EI Terminals

Quantity	Connector Type	Use
1	4-pin male cable connector (Standard M12, D-coded)	Ethernet/IP
1	5-pin male cable connector (Standard M12, A-coded)	RS-232
1	5-pin female cable connector (Standard M12, A-coded)	Power supply, trigger input and digital output

*) until Dec. 2006 4-pin male cable connector



Note: Various connectors and cables are available. Please ensure that **only shielded connectors and shielded cables** are used.

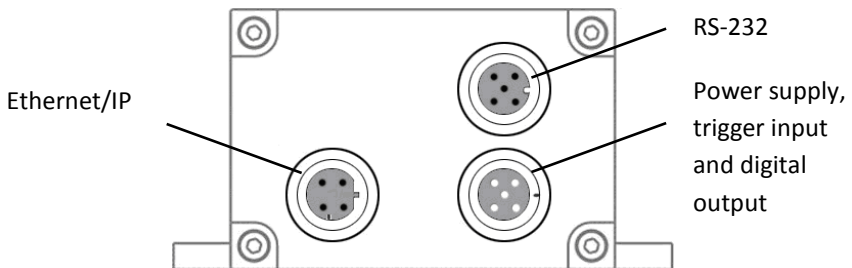


Figure 5 : LDM41-42EI terminals

5.2 Assignment of Terminals

The required power supply is 10 to 30 V DC.

The trigger input allows for a distance measurement via an external signal in the form of a voltage impulse from 3 to 20 V (only DF mode, please see Chapter 8).

Table 3 : Pin assignment power supply, alarm and trigger

Pin	Description	Colour	Comment
1	VCC	brown	Power supply 10 to 30 V
2	ALARM	white	Digital Output ($\geq VCC - 2 V$)
3	GND	blue	Power supply 0 V
5	Trigger	grey	Trigger input 3 to 20 V (ground potential GND)

5.3 Ethernet/IP

The LDM41-42EI has one terminal for input and output together conforming to the relevant standards (Standard M12, D-coded, for Ethernet/IP).

Table 4 : Pin assignment Ethernet/IP

Pin	Description	Comment
1	TD+	TD+, RJ45: 1 = white/orange
2	RD+	RD+, RJ45: 3 = white/green
3	TD-	TD-, RJ45: 2 = orange
4	RD-	RD-, RJ45: 6 = green



Note: Only use connection plugs and Ethernet/IP cables that conform to the relevant standards.

5.4 RS-232 Serial Interface

The RS-232 interface was originally designed as a PC interface only. It has now become the standard for serial data transfer for short distances. It is subject to interference when used for longer distances, in particular, in environments with interfering high-frequency electromagnetic radiance. As a result, this interface should only be used for configuring the LDM41-42EI. Please configure using the programming cable and the LDMTTool program.

Following successful configuration, remove the programming cable and protect the terminal with a sealing plug.



Note: Please configure the LDM41-42EI prior to connecting the Ethernet/IP. **The receiving line of the RS-232 serial interface is deactivated after connecting to the Ethernet/IP Scanner.**

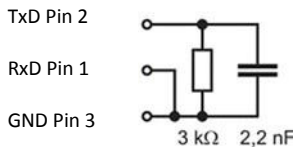
Please observe the RS-232 standard. The maximum extension of the RS-232 lines is 15 m.

Table 5 : Pin assignment RS-232

Pin	Description	Colour	Comment
1	RxD	brown	Receiving line
2	TxD	white	Transmit line
3	GND	blue	Ground potential



Note: Following successful programming, remove the RS-232 cable and protect the RS-232 cable connector with the enclosed sealing plug against entry of dirt. If the cable is to remain connected to the device, then a terminal resistance must be attached.



Ensure that no data line ends are left open, since they may be subject to interference (EMC).

A terminator circuit should be installed when the RS-232 is unconnected.

Figure 6 : Termination RS-232

This circuit must be provided by the customer (see diagram on the left).

5.5 Programming Cable

Connection to a PC requires the following cable with SUB-D 9 F connectors. The TxD and RxD signals of the LDM41-42EI and the PC connection are crossed. The colours apply to the optional programming cable.

Table 6 : Pin assignment programming cable

Pin LDM 4xP	Description	Colour	Pin SUB-D 9 F	Description
1	RxD	brown	3	TxD
2	TxD	white	2	RxD
3	GND	blue	5	GND

5.6 Shield and Grounding

Cable shields must be grounded with low resistance. Only high quality shielded cables should be used.

Carrier bases and control boxes should have equal potential. Potential differences could lead to electrical currents and may cause EMC problems (no correct measurement function or switching the gauge off or on is necessary).

If no potential equalization is possible, then mount the LDM41-42EI isolated from the carrier base (use nylon screws and washers). Connect the screen with mass to the cable end. This way of assembly should also be used when installing the LDM41-42EI inside vehicles.

6 Limiting Values for Voltages

Input voltages:

Table 7 : Input voltages

Terminal point	Voltage	Comment
VCC	+10 V ... +30 V	Pole-reversal-protected
TxD	± 13.2 V	Short-circuit-proof
RxD	± 25 V	Short-circuit-proof
TRIG ¹¹	± 25 V	Short-circuit-proof

Output voltages:

Table 8 : Output voltages

Terminal point	Voltage	Comment
TxD	like VCC (R _i 135 m Ω)	max. 0.7 A load; short-circuit-proof
Alarm	$\geq VCC - 2$ V	Level depending on VCC

Limiting values of voltages, loads and logical levels comply with relevant RS-232 and Ethernet/IP standards.

¹¹ Trigger function is not available for devices with internal heating (LDM41-42EI /h)

7 Start up

Ensure that all cable ends are protected against short circuit prior to turning on the power supply!

Connect cable terminals as required for the particular operating mode. A pole-reversal protection is included so as to prevent the destruction of electronic components.

Connection to the Ethernet/IP Scanner should only take place following start up!



Note: Please turn on the LDM41-42EI prior to connecting the Ethernet/IP. **The receiving line of the RS-232 serial interface is deactivated after connecting to the Ethernet/IP Scanner.**

Turning on the LDM41-42EI requires a **PC with a corresponding COM1 data interface**, an **optional programming cable** and a terminal programme. We recommend the use of the following programme: **LDMTOOL (Version 4.5 or higher)**.

When turning on the LDM41-42EI, it must be properly installed at the designated operation site, aimed at the target, and kept in a stable position. Targets to be measured (e.g. machine or system components) should preferably have a light and homogeneous surface. Several optional reflex foils are available.



Caution: Do not use any retro reflectors!

Alignment of the LDM41-42EI is facilitated by a visible laser beam¹² that can easily be turned on from a PC.

Operating voltage supply occurs via the power supply terminal (see Chapter 5).

¹² Depending on ambient light and target conditions

8 Parameters and Control via RS-232

8.1 General

It is easy to configure the LDM41-42EI by using a PC, as it provides a wide range of operating functions. Configuration should take place prior to connecting to the Ethernet/IP.



Caution: If the LDM41-42EI has been configured via the Ethernet/IP Scanner, then the PC interface (RS-232) can no longer be used to enter commands. However, the LDMTTool programme can be used for display distance values.

By selecting the ID[Enter] command, you may call up the menu with the available set-up commands.

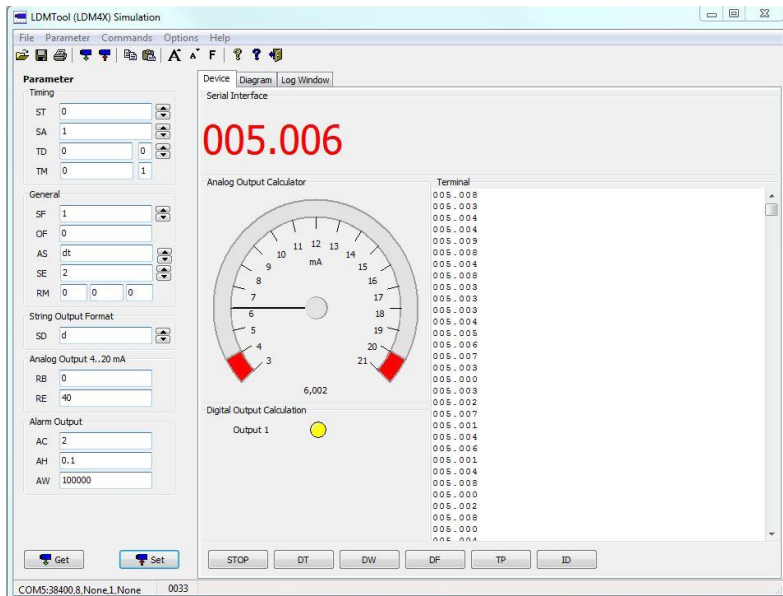


Figure 7 : LDMTTool

Prior to commencing measurements, desired parameter settings can be entered via a smart selection procedure, so as to adapt the LDM41-42EI in an optimal manner to specific environments and measuring tasks.

Such settings will be stored when turning off the LDM41-42EI.

They can only be changed by entering new values or by reinstalling the standard parameter settings.

Command entries are not case-sensitive. This means that small and capital lettering can be used for commands.

Any command must be terminated by a hexadecimal 0Dh (carriage return) character.

Where decimal digits are to be entered, they must be separated by period (2Eh).

For command parameter entries, one must distinguish between parameter settings and parameter queries.

Querying is achieved with a command in simple format, e.g. (for alarm center parameters):

AC[Enter]

For parameter setting, a new value must be added after the command with no delimitation sign in between, for example:

AC20.8[Enter]

In the given example, the alarm center will be set to 20.8.



Note: The LDM41EI and the LDM42EI are not equipped with an analogue current output. Therefore the configuration commands for the analogue output cannot be used for the LDM41-42EI. However, they do ensure compatibility with the LDM41A and LDM42A (without Ethernet/IP).

Table 9 : Command list LDM41-42EI

Command	Description
DT	Start distance tracking
DS	Start distance tracking (< 7 m)
DW	Start distance tracking on white target at 10 Hz
DX	Start distance tracking on white target at 50 Hz (only LDM42EI)
DF¹³	Start remote triggered single distance measurement
DM	Start single distance measurement
TP	Queries inner temperature
SA	Queries/sets floating average value(1...20)
SD	Queries/set output format (dez/hex/sig)
ST	Queries/set time to measure(0...25)
SF	Queries/set scale factor
SE	Queries/set Error Mode (0, 1, 2)
AC	Queries/set alarm center
AH	Queries/set alarm hysteresis
AW	Queries/set alarm width
HO¹⁴	Queries/set temperature for heating on
HF¹⁴	Queries/set temperature for heating off
TD	Queries/set trigger delay and level
BR	Queries/set baud rate
AS	Queries/set auto start
OF	Queries/set offset
SO	Sets current distance as offset
LO	Turns Laser on
LF	Turns Laser off
PA	Displays all parameter values
PR	Resets all parameters to standard values (don't use)

¹³ Trigger function is not available for devices with internal heating (LDM41-42EI /h)

¹⁴ Only for devices with internal heating (LDM41-42EI /h)

8.2 DT – distance tracking

Input parameter SA, SD, SE, SF, ST, OF

Output RS-232/RS-232, digital switching output, analog output

DT mode can be chosen for distance measurement of different kinds of surfaces (varying reflectance). In this type of distance tracking mode, the LDM41-42EI uses internal algorithms to continuously evaluate the quality of the Laser radiation signal that is coming back. This may cause longer measuring times in the case of poor reflectance or sudden jumps in distance.

The minimum time to measure is 240 ms, the maximum time is 6 s. If the measuring signal fails to reach a specified quality within six seconds, an error message is output.

The time to measure may also be limited by setting the ST parameter to a desired value. ESC stops the measurement.

8.3 DS – distance tracking (<7 m)

Input parameter SA, SD, SE, SF, ST, OF

Output RS-232/RS-422, digital switching output, analog output

Operation in DS mode makes sense where different types of surfaces have to be measured at close range up to 7 m. Compared to DT measuring mode, it allows a higher measurement rate. Within the range from 0.1 m to 0.5 m, measuring accuracy is restricted (± 4 mm). Measuring time (time to measure) can be limited via ST parameter settings.

ESC stops the measurement.

8.4 DW – distance tracking with target board (10 Hz)

Input parameter SA, SD, SE, SF, OF

Output RS-232/RS-422, digital switching output, analog output

DW mode performs at a steady measuring rate of 10 Hz. As a necessary precondition for measured values to be stable, a white target board must be placed at the selected object. There must be no sudden jumps in distance greater than 16 cm within the measuring field!

ESC stops the measurement.

8.5 DX – distance tracking with target board (50 Hz)

Input parameter	SA, SD, SE, SF, OF
Output	RS-232/RS-422, digital switching output, analog output

DX mode performs at a steady measuring rate of 50 Hz (only LDM42EI). As a necessary precondition for measured values to be stable, a white target board must be placed at the selected object.

This measurement mode is intended in the first place for objects performing homogeneous motion up to 4m/s. For higher rates of measurement, preceding measured values will be included in the process to calculate a currently measured value. There must be no sudden jumps in distance greater than 16 cm within the measuring field!



Caution: To prevent transmission problems, please use 9600 baud as the minimal baud rate for DX Mode!

8.6 DF – distance measurement with external trigger¹⁵

Input parameter	SD, SE, SF, ST, OF, TD, ST, SA, RM
Output	RS-232/RS-232, digital switching output, analog output

DF mode allows a measurement that is triggered by an external trigger pulse.

Initially, after selecting this mode, the operator does not receive any response. As soon as the trigger pulse has been detected, the LDM41-42EI will send data and switches to digital and/or analog output.

Settings for trigger delay (delay) and trigger slope can be defined via parameter TD (see 8.19 TDx y – display/set trigger delay trigger level).

With ST=1 the maximum trigger frequency should not exceed 3.5 Hz.

¹⁵ Trigger function is not available for devices with internal heating (LDM41-42EI /h)

8.7 DM – distance measurement

Input parameter SD, SE, SF, ST, OF

Output RS-232/RS-232, digital switching output, analog output

DM mode triggers a single measurement (single shot)

8.8 TP – internal temperature [°C]

TP queries the value of the inner LDM41-42EI temperature.

Note: In tracking mode, the inner temperature may exceed the surrounding temperature level by as much as 10 K.

8.9 SA – display/set average value [1..20]

SA allows you to calculate a floating average value from 1 to 20 measured values. Calculation is based on this formula:

$$\text{Average value: } \bar{x} = \frac{x_1 + x_2 + x_3 + \dots + x_{n(20)}}{n}$$

Standard setting is 1 (no average).

8.10 SD – display/set display format [d/h/s]

SD selects the output format of measured value data. There are three modes available:

Table 10 : Output format

Parameter	Output	Format
d	decimal	xxx.xxx<CR><LF> x=0...9
h	hexadecimal	<SPACE>xxxxxx<CR><LF> x=0...F
s	decimal with signal quality	xxx.xxx<SPACE>yyyyyy<CR><LF> x=0...9; y=0...9

SD affects all commands that output a distance value.

An output value is calculated from a given measured distance value (in mm), multiplied by the scale factor SF.

Negative distance values are output in two's complement notation.

The value for the signal quality varies between 0 and 1024. 0 means a bad signal quality while 1024 indicates a very good signal quality.

Examples:

Distance = 4,996 m, SF1

dec: 004.996<CR><LF>

hex: <SPACE>001384<CR><LF>

(= 4996 mm × SF1)

dec+sig: 004.996_000005<CR><LF>

(bad signal quality)

dec+sig: 004.996_000985<CR><LF>

(good signal quality)

Distance = 4,996 m, SF10

dec: 049.960<CR><LF>

hex: _00C328<CR><LF>

(= 49960 = 4996 mm × SF10)

dec+sig: 049.960_000005<CR><LF>

Error case

dec/hex: E15<CR><LF>

(see 11 Error Codes RS-232 and Ethernet/IP)

8.11 ST – display/set measure time [0..25]

Measuring time is directly conditional on the selected measuring mode. As a general rule, one may say: the poorer the reflectance of the surface of a particular target, the more time the LDM41-42EI will require to determine the distance with specified accuracy. For example, if error message E15 is output because of poor reflectance and insufficient time to measure, this latter setting must be increased.

The available value range for measuring time is 0 to 25. Basically, the greater the time setting is the more time will be available for measurement and the lower the resulting measuring rate.

An exception there from is zero-value. In this case, the LDM41-42EI automatically picks the smallest possible time value for measurement!

The LDM41-42EI comes factory-set with $ST = 0$.

ST is effective in the DT, DF and DM mode of operation.

The measuring time setting option can also be used to modify the measuring rate, for example, in order to restrict the data volume or for synchronization purposes. Measuring time can only be set as an approximate value, because the underlying principle of measurement is subject to certain variances that cannot be accounted for:

DT measuring mode → measuring time = $ST \times 240$ ms (except $ST = 0$)

DS measuring mode → measuring time = $ST \times 150$ ms (except $ST = 0$)

Example:

The target distance is 25 m, but the target's reflectance is not ideal. With a measuring time setting of ST 2, E15 will be output following measurement. The user must increase the time ($ST > 2$) or set auto ($ST 0$) to measure in this case!



One should work in DW or DX measuring mode where stable measuring times are required.

8.12 SF – display/set scale factor

SF multiplies a calculated distance value with a user-selectable factor for changes in resolution or outputs in a different unit of measure. The scale factor may also be negative. Standard setting is 1.

The scale factor influence the output of measurement results, Offset (OF), Alarm Centre (AC), Alarm Hysteresis (AH), Range Begin (RB) and Range End (RE)!

Table 11 : Examples of scale factor

Scale factor	Resolution	Output	Output Unit
SF1	1 mm	012.345	m
SF10	0.1 mm	123.450	dm
SF1.0936	0.01 yard	013.500	yard
SF3.28084	0.01 feet	040.501	feet
SF0.3937	1 inch	004.860	100 inch
SF-1	1 mm	-12.345	m



Note: Following a change in the scale factor, the settings for digital and/or analog output and offset must be matched accordingly!

8.13 SE – display/set error mode [0/1/2]

SE (error mode) allows you to configure the behavior of the digital switching output (alarm) and/or the analog output following an error message (E15, E16, E17). Depending on the particular LDM41-42EI application environment, error messages have to be handled in different ways.

Available setting options are 0, 1 and 2 with the following effects in the case of an error:

Table 12 : Meaning of SE

SE	Digital switching output (Alarm)	Analog output (4 -20 mA)
0	ALARM of latest valid measurement	Outputs current of last valid measurement

1	Positive alarm hysteresis = LOW Negative alarm hysteresis = HIGH	RE >RB: Current =3 mA RE <RB: Current =21 mA
2	Positive alarm hysteresis = HIGH Negative alarm hysteresis = LOW	RE >RB: Current =21 mA RE <RB: Current =3 mA

8.14 AC – display set ALARM center

AC sets the beginning of the distance range, for which the switching output will be turned active. The length of this active range can be set using the AW parameter.

AC must be selected in keeping with the currently set SF scale factor (see **9.4 Digital Switching Output (Alarm)**).

8.15 AH – display/set ALARM hysteresis

AH allows you to make parameter settings for the switching hysteresis at the beginning and the end point of the active range of the switching output.

AH must be selected so it is properly matched to the currently valid scale factor (SF).

The mathematical sign of AH can be used to set an active state logic level:

Positive sign (“+”): active range is HIGH-active.

Negative sign (“-“): active range is LOW-active.

No sign setting means positively-signed (see **9.4 Digital Switching Output (Alarm)**).

8.16 AW – display/set ALARM width

AW sets the length of the active range, beginning at AC.

AW settings must be made in agreement with the currently valid SF scale factor.

AW is always equal or greater than “0” (zero).

AW is always equal or greater than |AH| (the amount of AH).

Standard setting is 100000 – means off.

8.17 HO – display/set Temperature for heating on¹⁶

HO displays/sets the temperature value at which the internal heating is switched on. The values can be varied between -40°C and 70°C.

Standard setting is 3°C.

8.18 HF – display/set Temperature for heating off¹⁶

HF displays/sets the temperature value at which the internal heating is switched off. The values can be varied between -40°C and 70°C. Standard setting is 12°C.

8.19 TDx y – display/set trigger delay trigger level¹⁷

TD is only intended for the configuration of the remote trigger input (see 8.6 DF – distance measurement with external trigger).

TD consists of two sub parameters, of the actual delay value, i.e. the delay time, and the trigger level.

Trigger delay corresponds to the time from arrival of the trigger signal to the starting point of a measurement. It may be set to any value between 0 and 9999 ms. With the help of the trigger level one may define if measurement is to begin on a rising or a falling pulse slope.

Trigger delay and trigger level must be separated by space (20h) in the entry line. Standard setting: 0 0.

x Delay time between trigger signal and start of measurement, delay can be set from 0 to 9999 ms.

y 0 for HIGH → LOW-slope
1 for LOW → HIGH-slope

Example:

```
TD1000_0[Enter]
```

¹⁶ Only for devices with internal heating (LDM41-42EI /h)

¹⁷ Trigger function is not available for devices with internal heating (LDM41-42EI /h)

In the given example, the delay has been set to 1000 ms and the trigger slope to "rising" (LOW-to-HIGH transition)

8.20 BR – display/set baud rate [2400..38400]

Available baud rate settings are: 2400, 4800, 9600, 19200, 38400. Faulty entries will be rounded to the nearest baud rate. A fixed data format of eight data bits, with no parity and one stop bit is used. Standard setting is 9600 baud.

8.21 AS – display/set autostart command

AS (auto start) defines which function will be carried out when power becomes available to the LDM41-42EI.

Possible entries are those delivering a measured value on the output side, an ID command or the command for turning the Laser on (LO).

For example, if ASDT has been parameterized, the LDM41-42EI will begin with distance tracking on turning on power.

8.22 OF – display/set distance offset

With the help of OF (offset) the user may define a zero-point for his/her application. For details on the position of the module's zero-point, refer to section.

OF must be selected so it is properly matched to the currently valid scale factor setting (SF).

OF may also take on negative values. Standard setting: 0

8.23 SO – set current distance to offset

SO performs a distance measurement and saves the measured reading as an offset value with inverted mathematical sign (OF).

8.24 LO – Laser on

LO turns the Laser on. This function can be used for orientation or functional testing of the LDM41-42EI. After the command LO it's necessary to send LF!

Don't use LO because this. Please use instead of LO the command DT to turn the Laser on.

8.25 LF – laser off

LF turns the Laser off.

8.26 PA – display settings

PA lists all parameters in a table.

8.27 PR – reset settings

PR resets all parameters (except baud rate). After this a new configuration of the LDM41-42EI is necessary

```

average value[SA].....1
display format[SD].....d
measure time[ST].....0
scale factor[SF].....1
error mode[SE].....1
ALARM center[AC].....1000
ALARM hysteresis[AH].....0.1
ALARM width[AW].....100000
distance of Iout=4mA [RB].....1000
distance of Iout=20mA [RE].....2000
remove measurement [RM].....0 0 0
trigger delay, trigger level[TD]..0 0
trigger mode, trigger level[TM]...0 1
baud rate[BR].....9600
autostart command[AS].....ID
distance offset[OF].....0

```



Use instead of PR the "Set Standard" command from Windows program LDMTTool.

9 Interface Connection

9.1 Ethernet/IP

General

The LDM41-42EI is operated as a Ethernet/IP Adapter. It becomes operational with Scanner 13 byte entry data: 2x 8 bit error information, 16 bit measurement value counter, 32 bit time stamp, 32 bit distance and 8 bit internal temperature.

One byte of output data is used for control. It is possible to switch between various measurements modes. In addition, the internal equipment temperature can be measured and the laser can be turned off.

The IP-address, the subnet mask, the gateway address and DHCP will be set via Ethernet/IP Scanner. The default setting is DHCP on. If DHCP is not available, the LDM will use the IP-adress 192.168.0.52.

Connection takes place via circular plug-in connectors that are in compliance with relevant standards.

Configuration of measuring time, scaling, etc., takes place via the serial interface (see Chapter 8).

Parameter Setting

The LDM41-42EI is configured as a Ethernet/IP Adapter.



Note: Please ensure that the parameter setting of the LDM4xEI is correct. The parameter baud rate (BR 38400) and output format (SD h) must be set via the serial RS-232 interface of the LDM4x EI by using a PC and the LDMTTool program, or alternatively a terminal program, prior to connection to the Ethernet/IP Scanner!

Table 13 : Meaning of Ethernet/IP mode

Ethernet/IP IN	Ethernet/IP Configuration
8 bit Error Counter	13 byte IN
8 bit Error Code	1 byte OUT
16 bit Counter	
32 bit Time Stamp	
32 bit Distance ¹⁸	
8 bit Temperature ¹⁹	

Ethernet/IP IN, Explanation of Error Codes

Table 14 : Ethernet/IP error codes

Code	Description
0 (0x00)	<u>Received valid measurement value</u> ; Error Counter and Code are set to zero
15 (0x0F)	Reflexes too weak, use target board ²⁰ or distance from LDM (front edge) is out of range
16 (0x10)	Reflexes too strong, use target board
17 (0x11)	Too much constant light (e.g. sun)
23 (0x17)	Temperature below - 10 °C
24 (0x18)	Temperature above + 50 °C
61 (0x3D)	Faulty command
255 (0xFF)	Invalid string from LDM4xEI (e.g. hexadecimal output has not been set)

Ethernet/IP IN, Explanation of Additional Binary Values

Error Counter Number of errors after last valid measurement value

Counter Increased for each new valid measurement value

Time Stamp Set for each new valid measurement value (ms)

Ethernet/IP OUT, Explanation of Control Byte

The control byte sets the **Measuring Mode** via **Bit 0 to 2**. For a description of the various **Modes**, please see Chapter 8.

¹⁸ Scaling depends on LDM 4xP parameter settings

¹⁹ Displays the internal temperature in °C, if the control byte has been set on the TP mode, activation HI/LO slope bit 6

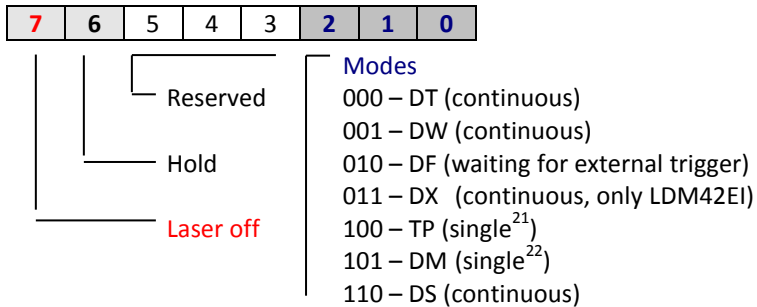
²⁰ E.g. 3M, self-adhesive, white non-glossy foil

Bit 3 to 5 are reserved and can be set to 0.

If **Bit 6** has been set to 1, then the actual measuring value is kept. If Bit 6 is set from 0 to 1, the 1/0 slope is also activated. This slope will provide a new measurement for the DM single measurement mode and TP temperature measurement. For all other modes, Bit 6 generally remains set at 0.

To turn off the **Laser** and switch the LDM41-42EI to **standby operation**, **Bit 7** should be set at 1. The remaining bits have no meaning.

If all bits are set at 0, then the LDM41-42EI will operate in the DT mode (Distance Tracking, continuous measurement).



Website

The LDM4xEI contains an integrated Webserver. Via this Webserver you can see information about your device and the actual measurement. To view the website you must open in your browser [http://IP-Adress of your device\(e.g. http://192.168.051\)](http://IP-Adress of your device(e.g. http://192.168.051)). You can get the actual temperature of the LDM with a click on Get Temperature. You must regard that each temperature query leads to the loss of one measurement cycle.

9.2 Serial Interface RS-232

Initially, RS-232 communication interfaces purely functioned as PC communication ports. They have become the established standard tool for serial data transmission over short cable lengths. With greater transmission

²¹ New temperature measurement (second and subsequent) at Bit 6 Hold (1/0 slope)

²² New distance measurement (second and subsequent) at Bit 6 Hold (1/0 slope)

lengths, the interface is highly susceptible to interferences, notably, in the vicinity of strong electromagnetic noise emitters.

Therefore, it should only be used for LDM41-42EI configuration.

The commands of the serial interface are described in chapter 8 starting page 21. The data output format is determined by parameter SD (display format), see page 26.

9.3 Output Format Ethernet and RS-232

The output format on the serial interface is selected by the command SD. There are three modes available:

Parameter	Output	Format
d	decimal	xxx.xxx<CR><LF> x=0...9
h	hexadecimal	<SPACE>xxxxxx<CR><LF> x=0...F
s	Decimal with signal quality	xxx.xxx<SPACE>yyyyyy<CR><LF> x=0...9; y=0...9

SD affects all commands that output a distance value.

An output value is calculated from a given measured distance value (in mm), multiplied by the scale factor SF.

Negative distance values are output in two's complement notation.

The value for the signal quality varies between 0 and 1024. 0 means a bad signal quality while 1024 indicates a very good signal quality.

Examples:

Distance = 4,996 m, SF1

```
dec:    004.996<CR><LF>
hex:    <SPACE>001384<CR><LF>
        (= 4996 mm × SF1)
dec+sig: 004.996_000005<CR><LF>
        (bad signal quality)
dec+sig: 004.996_000985<CR><LF>
        (good signal quality)
```

Distance = 4,996 m, SF10

dec: 049.960<CR><LF>

hex: _00C328<CR><LF>

(= 49960 = 4996 mm × SF10)

dec+sig: 049.960_000005<CR><LF>

Error case

dec/hex: E15<CR><LF>

(see page 42, chapter 11, Error Codes RS-232 and Ethernet/IP)

9.4 Digital Switching Output (Alarm)

With the help of a user-selectable distance threshold, the switching output can be set to monitor objects or conditions for positive or negative overstep.

For example, using the digital switching output, an object which was selected for measurement can be monitored for excision of a threshold value. To do this, parameter settings for a measurement window are required. Settings for this window can be made via the three parameters: Alarm Center (AC), Alarm Hysteresis (AH) and Alarm Width. The range which will be subject to monitoring begins at AC and ends at AC+AW. Switching transitions can be set via parameter AH.

The logic state of the switching output follows from the mathematical sign of AH.

In the case of a positive AH, the output switches

- with increasing distance:

- from LOW to HIGH if the distance is greater than $(AC \pm AH/2)$
- from HIGH to LOW if the distance is greater than $(AC+AW+AH/2)$

- with decreasing distance:

- from LOW to HIGH if the distance is smaller than $(AC +AW-AH/2)$
- from HIGH to LOW the distance is smaller than $(AC-AH/2)$

In the case of a negative AH, the output switching pattern will be inverse.

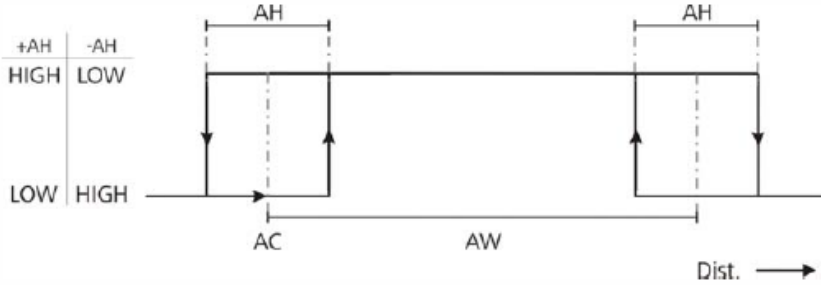


Figure 8 : Digital switching output behavior with positive and negative hysteresis

Example:

A moving object is assumed to be monitored within a window of 10 m to 11 m with a hysteresis of 0.2 m.

AC10
 AH0.2
 AW1

Distance (m) increases →										
	9.8	9.9	10.0	10.1	10.2	...	11.0	11.1	11.2	11.3
+AH	L	L	L	H	H	H	H	L	L	L
-AH	H	H	H	L	L	L	L	H	H	H

Distance (m) decreases →										
	11,3	11,2	11,1	11,0	10,9	10,8	...	10,0	9,9	9,8
+AH	L	L	L	L	H	H	H	H	H	L
-AH	H	H	H	H	L	L	L	L	L	H

L = LOW, H = HIGH

How the switching output is to behave on occurrence of an error message (E15, E16, E17, E18) can be defined by making suitable settings under “SE” (see 8.13, SE – display/set error mode [0/1/2])

9.5 Trigger Input²³

The trigger input is intended for triggering a distance measurement with an external signal that is applied as a voltage pulse between 3 V and 20 V. This input is used only in trigger mode DF (DF – distance measurement with external trigger)!

It is for the user to specify a desired delay time and a pulse slope to be selected for synchronization (see 8.19, TDx y – display/set trigger delay trigger level).

Having done this, the LDM41-42E has to be switched to trigger mode (see 8.6, DF – distance measurement with external trigger).

²³ Trigger function is not available for devices with internal heating (LDM41-42E /h)

10 List of Commands

Table 15 : LDM41-42EI command list

Command	Description
DT	Starts distance tracking
DS	Starts distance tracking (< 7 m)
DW	Starts distance tracking on white target at 10 Hz
DX	Starts distance tracking on white target at 50 Hz (only LDM42EI)
DF	Starts remote-triggered single distance measurement (single shot)
DM	Starts single distance measurement (single shot)
TP	Queries inner temperature
SA	Queries / sets floating average value (1...20)
SD	Queries / sets output format (dec/hex/sig)
ST	Queries / sets time to measure (0...25)
SF	Queries / sets scale factor
SE	Queries / sets error mode (0, 1, 2)
AC	Queries / sets alarm center
AH	Queries / sets alarm hysteresis
AW	Queries / sets alarm with
HO²⁴	Queries / sets temperature for heating on
HF²³	Queries / sets temperature for heating off
TD	Queries / sets trigger delay and level
BR	Queries / sets baud rate
AS	Queries / sets auto start
OF	Queries / sets offset
SO	Sets current distance as offset
LO	Turns Laser on (do not use, please use DT)
LF	Turns Laser off
PA	Displays all parameter values
PR	Resets all parameters to standard values (don't use)

²⁴ Only for devices with internal heating (LDM41-42EI /h)

11 Error Codes RS-232 and Ethernet/IP

Table 16 : Error codes

Code	Description	Action
E15	Reflexes are too weak, or distance from LDM (front edge) to target is less than 0.1 m	Use white target board ²⁵ or increase distance to target
E16	Reflexes are too strong	Use white target board or filter
E17	Too much steady light (e.g. sun) or reflexes are too strong	Use aperture or filter or white target board
E18	DX mode (only LDM42EI): reflexes too weak, or distance from LDM (front edge) to target is less than 0.1 m	Use white target board or increase distance to target
E19	DX mode (only LDM42EI): motion speed > 10 m/s	Reduce motion speed
E23	Inner temperature below – 10°C	Heating necessary
E24	Inner temperature above + 60°C	Cooling necessary
E31	EEPROM checksum error	Necessary to repair
E51	Failed to set avalanche voltage	Necessary to repair
E52	Excessively high Laser current / Laser defect	Necessary to repair
E53	Division by 0	SF must be unequal of zero or necessary to repair
E54	Hardware error, PLL range	Necessary to repair
E55	Other hardware error	Necessary to repair
E61	Invalid command	Correct input
E62	Wrong parameter, wrong command	Check data transmission
E63	SIO overflow	Check data transmission
E64	SIO framing error	Check data transmission

²⁵ e.g. 3M, self adhesive foil matte white

12 EDS Data

The EDS-File for the LDM41EI and LDM42EI device can be downloaded from the ASTECH-Website www.astech.de .



Figure 9 : EDS data and bitmap

13 EG Declaration of Conformity

In accordance with the

Directive of Electromagnetic Compatibility 2004/108/EG

The company ASTECH Angewandte Sensortechnik GmbH in Schonenfaherstr. 5, 18057 Rostock / Germany herewith declare, represented by the signatory, that the following designated product

Laser Distance Measurement Sensor

LDM41EI / LDM42EI

agree with the following harmonized standard:

IEC 61326-1

Electromagnetic interference and electromagnetic compatibility (EMC)

***including radio interference**

Rostock, 21. September 2010

ASTECH Angewandte Sensortechnik GmbH

A handwritten signature in blue ink, appearing to read 'J. Mirow', is written over a faint, light blue circular stamp.

Jens Mirow

General Manager

14 Part Numbers

Table 17 : Part numbers

Part-No.	Name
10-2038-00	LDM41EI
10-2039-00	LDM42EI
10-2041-00	LDM41EI-h with heating
10-2042-00	LDM42EI-h with heating
15-0018-00	Male cable connector Ethernet M12, 4-pin D-coded
15-0040-00	Connection cable Ethernet M12 - RJ45, 3m
15-0040-01	Connection cable Ethernet M12 - RJ45, 5m
15-0040-02	Connection cable Ethernet M12 - RJ45, 10m
15-0019-00	PC-Programming cable RS-232 5m
15-2002-00	Connection cable LDM41-42EI, 5m
15-2002-01	Connection cable LDM41-42EI, 10m
11-0001-00	USB-RS-232 Interface converter, 0.2m
12-2006-00	Protection window Standard for LDM4x-Serie
12-2006-01	Protection window Quartz glass for LDM4x-Serie
12-2006-02	Protection window Sapphire glass for LDM4x-Serie
12-2030-00	Gray filter 2-fach for LDM4x-Serie
12-2030-01	Gray filter 4-fach for LDM4x-Serie
12-2010-00	Reflection foil matte/white, A4
12-2011-00	Highly reflective foil silver, A4
12-2015-00	Protection tube for pressure air for LDM4x-Serie
11-0006-00	ASTECH USB-Stick (Documentation and Software)
16-2001-01	Printed Manual LDM41-42EI, A5, DE
16-2001-02	Printed Manual LDM41-42EI, A5, EN
17-2000-00	License number for PC-Software LDMT00L for LDM3x und LDM4x

Note: Several single sensors are also available as packages including sensor and cable, manual and USB-Stick (sets). Additionally are other protection enclosures with and without a thermostat available.

