

PHSS4x-W

Protective housing with water cooling for LDM4x

If the laser distance sensors of the LDM4x series are to be operated at high ambient temperatures, the protective housing PHSS4x-w with water cooling is deployed. It protects the sensor not only from warm temperatures, but also from cold, humidity and dirt.

A connector flange is provided for the programming interface. Power supply and further signals are connected via cable lead-through.

The housing is available with optional window heating, an air purge pipe and a pan/tilt foot.

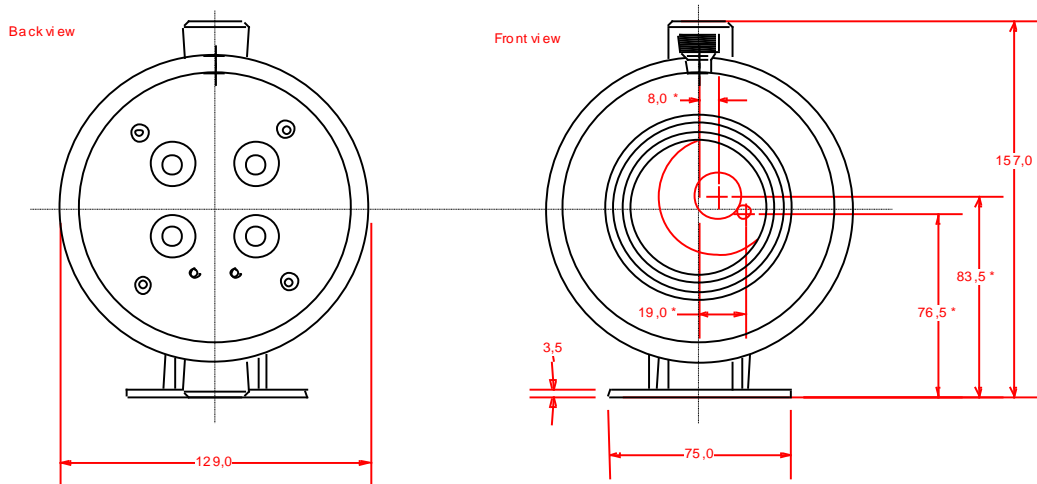
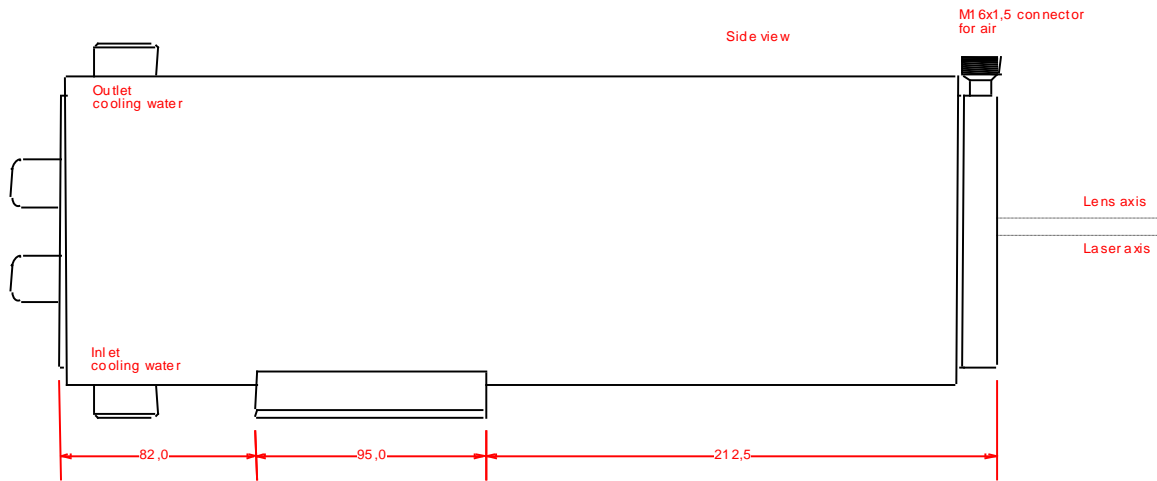
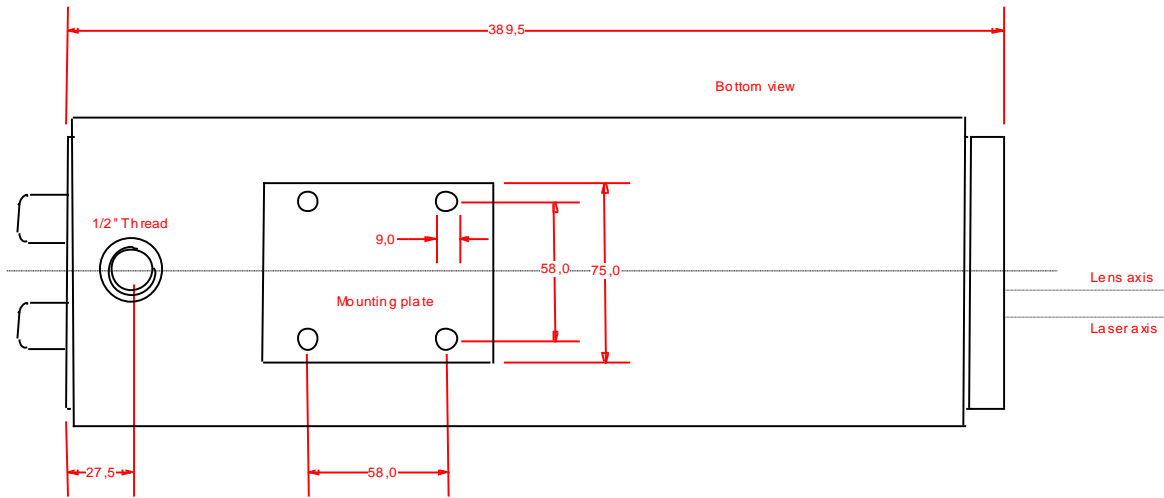


Technical Data

Protection Class	IP 67
Sizes	390 mm x 157 mm x 129 mm (L x H x W without connectors)
Mounting	Base plate 75 mm x 95 mm with 4 holes 9.0 mm
Water Supply	2 x 1/2"
Air Supply	M16x1.5
Window	both-sided coated special glass
Window heating	12VDC/ 24VAC/ 24VDC, 20W (optional, 12-2021-00)
Cable Connection	RS232: connection flange, glands for signals und power supply
Weight	approx. 6.5 kg (without build-in gauge and options)
Scope of Delivery	Protection case incl. build-in mounting adaptor for LDM41/42x (RS232 interface requires an optional programming cable)
Article-No.	12-2004-00 for LDM41/41P 12-2004-01 for LDM41/41A
Options	RS232-Programming cable (15-0019-00); Air purge (12-2020-00); integrated window heater (12-2021-00); adjustable mounting bracket (12-2022-00)

Recommend Cooling Media

Cooling Water	
Water Temperature	< 30 °C
Water Pressure	2 bar up to 4 bar
Water Amount	6 l/min at max. 200 °C outer temperature 10 l/min at max. 300 °C outer temperature
Water Quality	Clean and not chemically aggressive
Suspended Solids	< 10 µm
Water Hardness	10 °dH
Air	
For Air Purge (optional, 12-2020-00)	
Air Amount	7 – 10 Nm³/h
Air Pressure	Approx. 0.5 bar
Air Quality	Air has to be free of oil, water and suspended solids



*) Tolerances of axis measures: ± 2 mm

All sizes in millimeter

Vers. 1.4 (2014-01-29), 18-2010-01, Datasheet_PHSS4x-W_EN_V1.4.docx